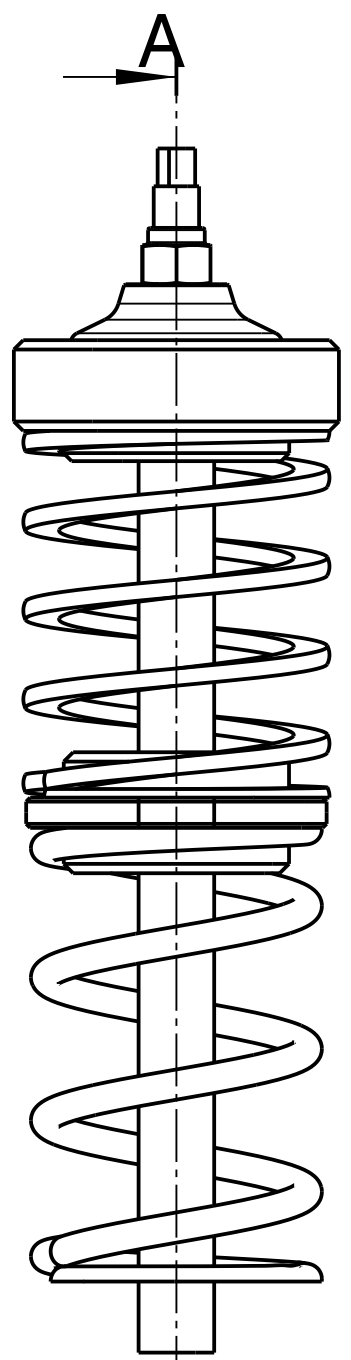
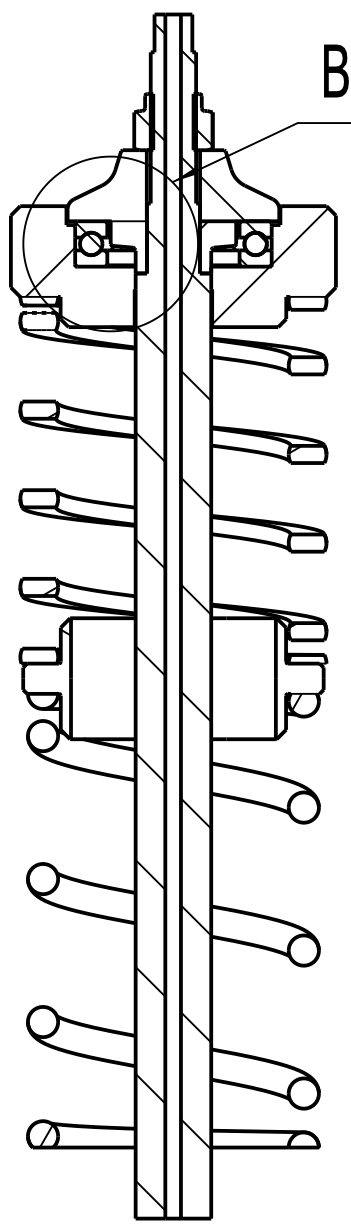


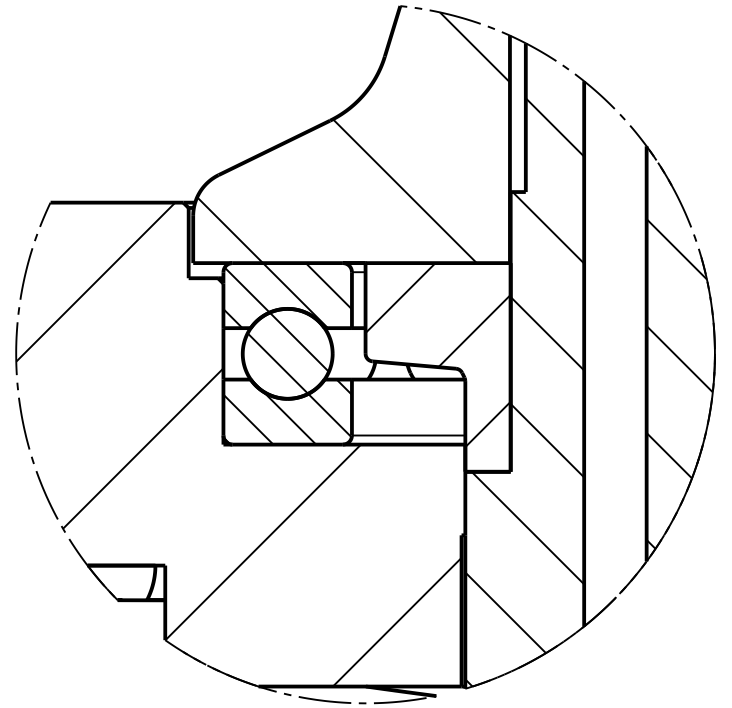
H G F E D C B A



Front view  
Scale: 1:2



Section view A-A  
Scale: 1:2



Detail B  
Scale: 2:1

4

3

2

1

4

3

2

1

H G B A

DESIGNED BY: Holgi		<h1>Assembly - MOD</h1>		I	-
DATE: 19.09.2006				H	-
CHECKED BY: XXX		<h2>Modifikation BeBe Gewindefahrwerk</h2>		G	-
DATE: XXX				F	-
SIZE A3		<h3>GWFK-0001</h3>		E	-
SCALE 1:2	WEIGHT (kg) XXX			D	-
DRAWING NUMBER		SHEET		C	-
		1 / 1		B	-
This drawing is our property; it can't be reproduced or communicated without our written agreement.				A	-